

Please read instructions before commencing installation and retain for future reference.

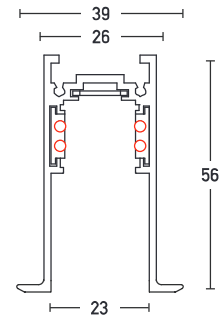
**INSTALLATION INSTRUCTIONS**

**⚠** Electrical products can cause death, injury, or damage to property. Maintenance and installation should only be carried out by a professional electrician.

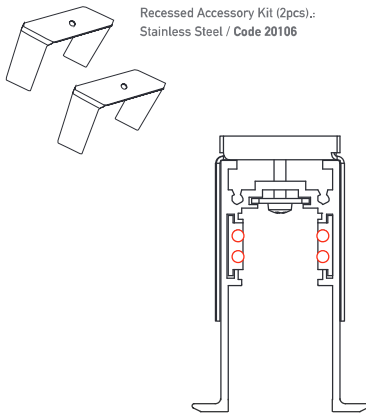
- Make sure the power stay on power OFF position before safe operation.
- Check the lighting fixture and accessories before installation.
- If there is any damage in lamp body or glass, please stop the installation.
- Make sure that the products is installed properly before connecting to electricity.
- Do not cover the fitting.
- Not for outdoor use or in wet conditions.

**Cutting Hole 29mm**

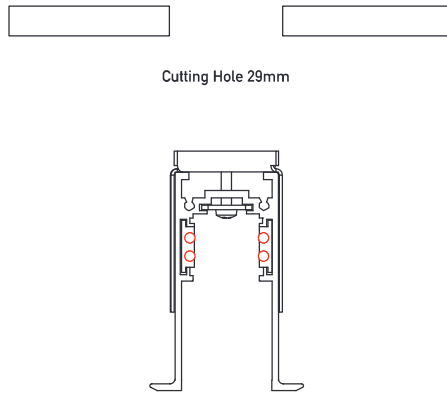
Dimensions Indicated in Millimeters.



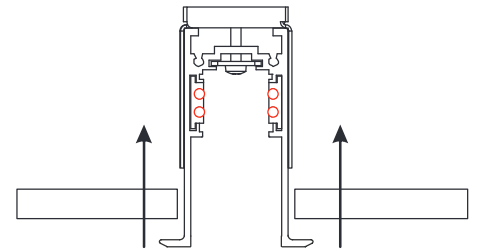
**step 1.:** Fit the recessed accessory on the track.



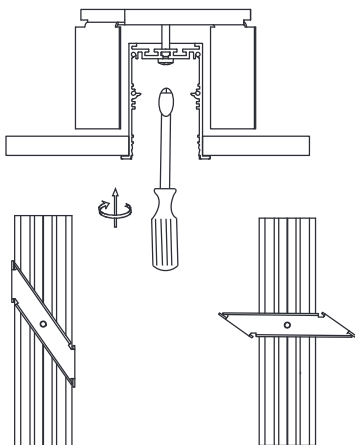
**step 2.:** Prepare the cutting hole.



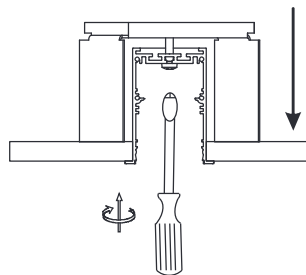
**step 3.:** Insert the profile to the hole.



**step 4.:** Screw the fixation parts in order to open the tool.

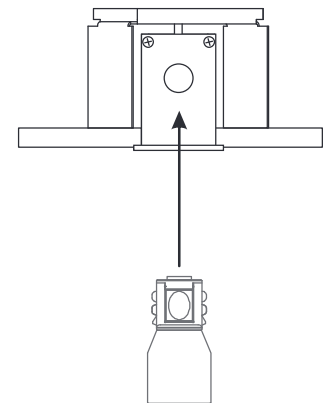


**step 5.:** Keep screwing to lock the fixation part with the ceiling. Connect the terminal block according the electrical instructions.



**step 6.:** Put the end caps to the profile.

**step 7.:** Connect the feeder and insert the magnetic luminaire.



Metal End Caps with Hole.:  
Color Black / Code 20108-1B  
Color White / Code 20108-1W

Metal End Caps without Hole.:  
Color Black / Code 20108-B  
Color White / Code 20108-W

