

Staircase LED light fitting



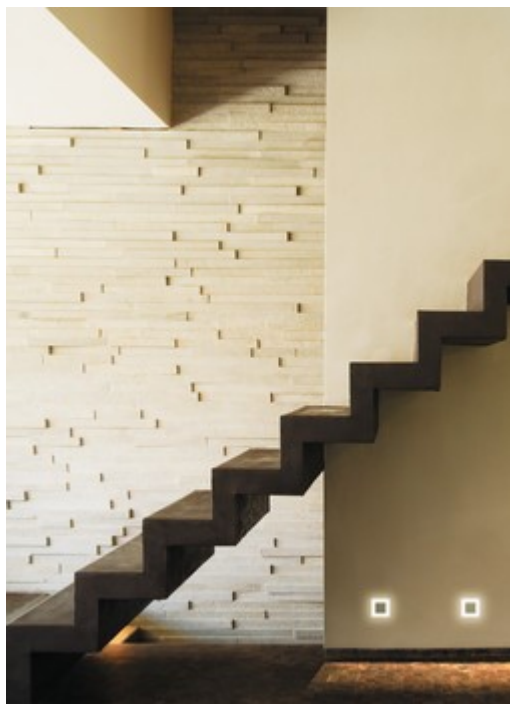
		[V]	[W]		[lm]	Tc [K]
APUS LED WW	23106	12 DC	0,8	stainless steel	13	3000
APUS LED CW	23107	12 DC	0,8	stainless steel	15	6500
APUS LED AC-WW	23800	220-240 AC	1,3	stainless steel	13	3000
APUS LED AC-CW	23801	220-240 AC	1,3	stainless steel	15	6500
APUS LED AC B-NW	26536	220-240 AC	1,3	black	14	4000
APUS LED AC B-WW	26537	220-240 AC	1,3	black	13	3000
APUS LED B-NW	26538	12 DC	0,8	black	14	4000
APUS LED B-WW	26539	12 DC	0,8	black	13	3000
APUS LED W-WW	26840	12 DC	0,8	white	13	3000
APUS LED W-CW	26841	12 DC	0,8	white	15	6500
APUS LED PIR WW	27370	12 DC	0,8	stainless steel	13	3000
APUS LED PIR CW	27371	12 DC	0,8	stainless steel	15	6500
APUS LED W-NW	27378	12 DC	0,8	white	14	4000
APUS LED PIR NW	27379	12 DC	0,8	stainless steel	14	4000
APUS LED NW	32488	12 DC	0,8	stainless steel	14	4000



Kanlux APUS means modern design combined with an attractive effect of lighting. It is a perfect idea to highlight stairs and corridors or to emphasize decor of rooms. The unique structure of the holders ensures even emission of light. The AC version is equipped with 230V power supply unit which fits into a box and the PIR version is equipped with a motion sensor. The sensor detects movement / turns lights on regardless of the ambient light intensity.

Staircase LED light fitting

- the fitting is suitable for mounting in $\varnothing 60$ junction boxes.
- Enclosure material: polished stainless steel, plastic



APUS LED



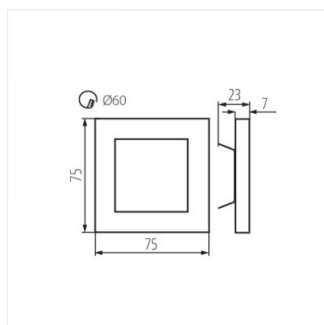
APUS LED B



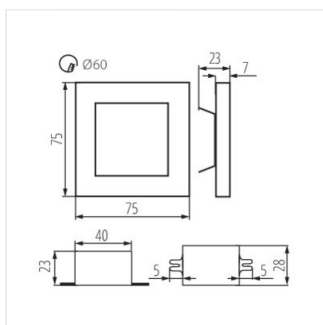
APUS LED W



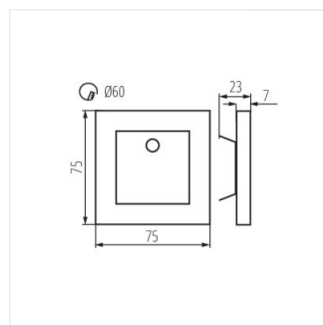
APUS LED PIR



APUS LED



APUS LED AC



APUS LED PIR